



Auto Linear Motion

■ Ball Screw



ALM Intelligent Technology (Suzhou) Co., Limited

Add: No 1998 Jinfeng south road, Wuzhong district, Suzhou city, China

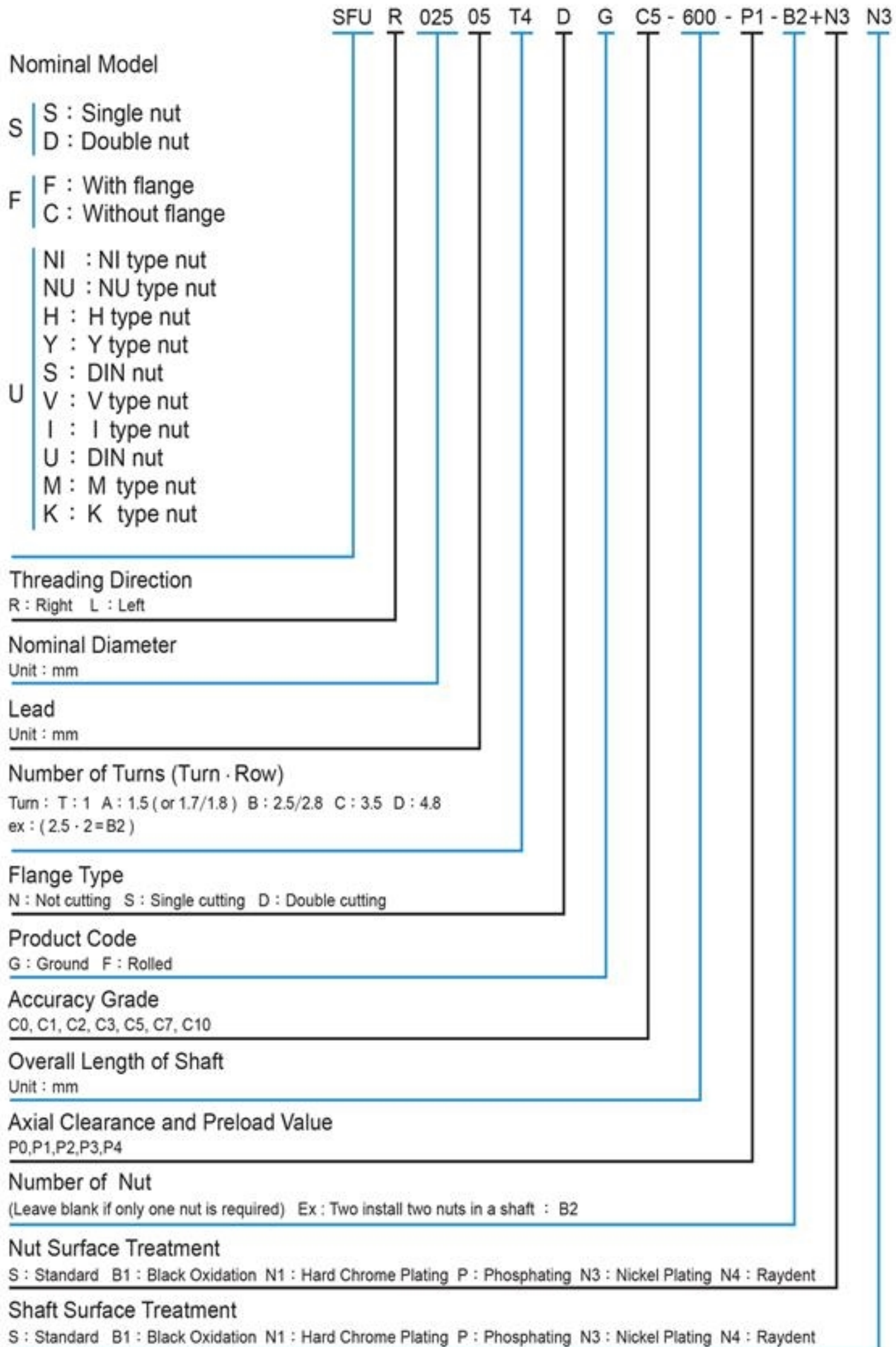
E-mail: sales@autolinearmotion.com

Tel: +8618962406535

Web: www.autolinearmotion.com

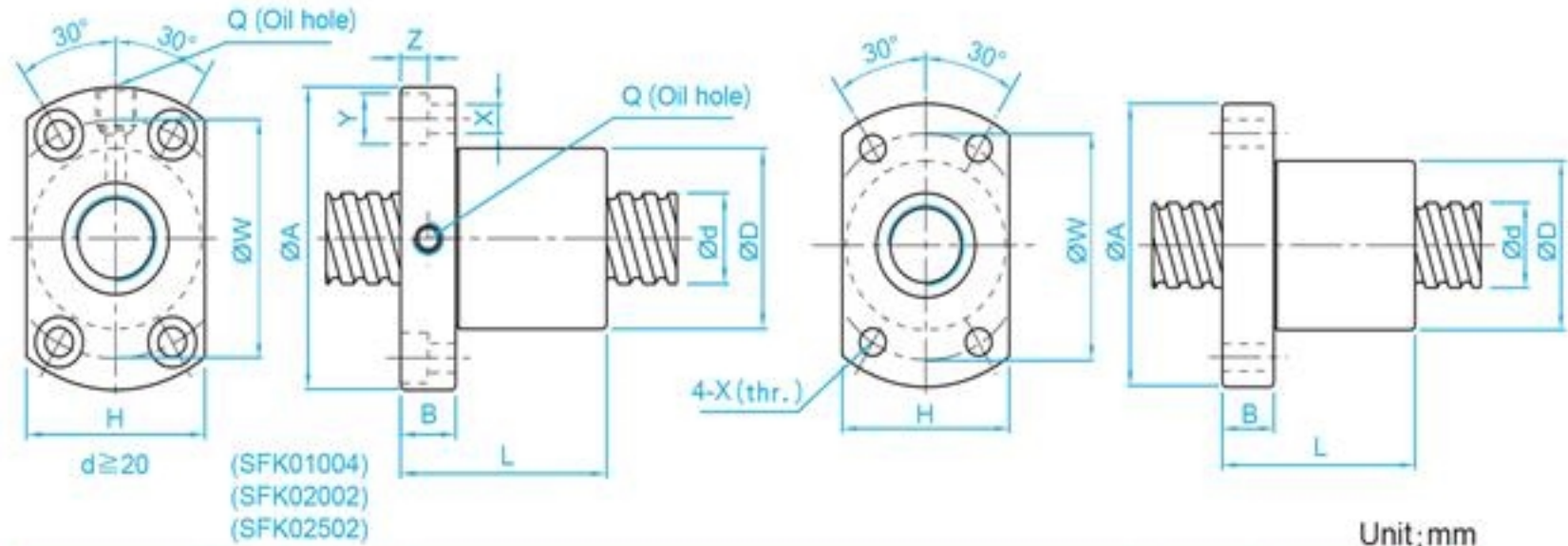
Ball Screw

2-1 Nominal Model Code of Ball Screw



Ball Screw

SFK Series Specifications



Unit: mm

| Model No. | d | l | Da | Dimension | | | | | | | | | | | Ca (kgf) | Coa (kgf) | K (kgf/ μ m) |
|------------|----|-----|-----|-----------|----|-----|----|----|----|-----|------|----|----|-----|----------|-----------|------------------|
| | | | | D | A | B | L | W | H | X | Y | Z | Q | n | | | |
| SFK00401 | 4 | 1 | 0.8 | 10 | 20 | 3 | 12 | 15 | 14 | 2.9 | - | - | - | 1x2 | 64 | 97 | 5 |
| SFK00601 | 6 | 1 | 0.8 | 12 | 24 | 3.5 | 15 | 18 | 16 | 3.4 | - | - | - | 1x3 | 111 | 224 | 9 |
| ☆ SFK00801 | 8 | 1 | 0.8 | 14 | 27 | 4 | 16 | 21 | 18 | 3.4 | - | - | - | 1x4 | 161 | 403 | 14 |
| ☆ SFK00802 | | 2 | 1.2 | 14 | 27 | 4 | 16 | 21 | 18 | 3.4 | - | - | - | 1x3 | 222 | 458 | 13 |
| SFK0082.5 | | 2.5 | 1.2 | 16 | 29 | 4 | 26 | 23 | 20 | 3.4 | - | - | - | 1x3 | 221 | 457 | 13 |
| ☆ SFK01002 | 10 | 2 | 1.2 | 18 | 35 | 5 | 28 | 27 | 22 | 4.5 | - | - | - | 1x3 | 243 | 569 | 15 |
| SFK01004 | | 4 | 2 | 26 | 46 | 10 | 34 | 36 | 28 | 4.5 | 8 | 45 | M6 | 1x3 | 468 | 905 | 17 |
| ☆ SFK01202 | 12 | 2 | 1.2 | 20 | 37 | 5 | 28 | 29 | 24 | 4.5 | - | - | - | 1x4 | 334 | 906 | 22 |
| ☆ SFK01402 | 14 | 2 | 1.2 | 21 | 40 | 6 | 23 | 31 | 26 | 5.5 | - | - | - | 1x4 | 354 | 1053 | 24 |
| ☆ SFK01602 | 16 | 2 | 1.2 | 25 | 43 | 10 | 40 | 35 | 29 | 5.5 | - | - | M6 | 1x4 | 373 | 1200 | 26 |
| SFK02002 | 20 | 2 | 1.2 | 50 | 80 | 15 | 55 | 65 | 68 | 6.5 | 10.5 | 6 | M6 | 1x6 | 581 | 2284 | 48 |
| SFK02502 | 25 | 2 | 1.2 | 50 | 80 | 13 | 43 | 65 | 68 | 6.5 | 10.5 | 6 | M6 | 1x5 | 540 | 2381 | 46 |

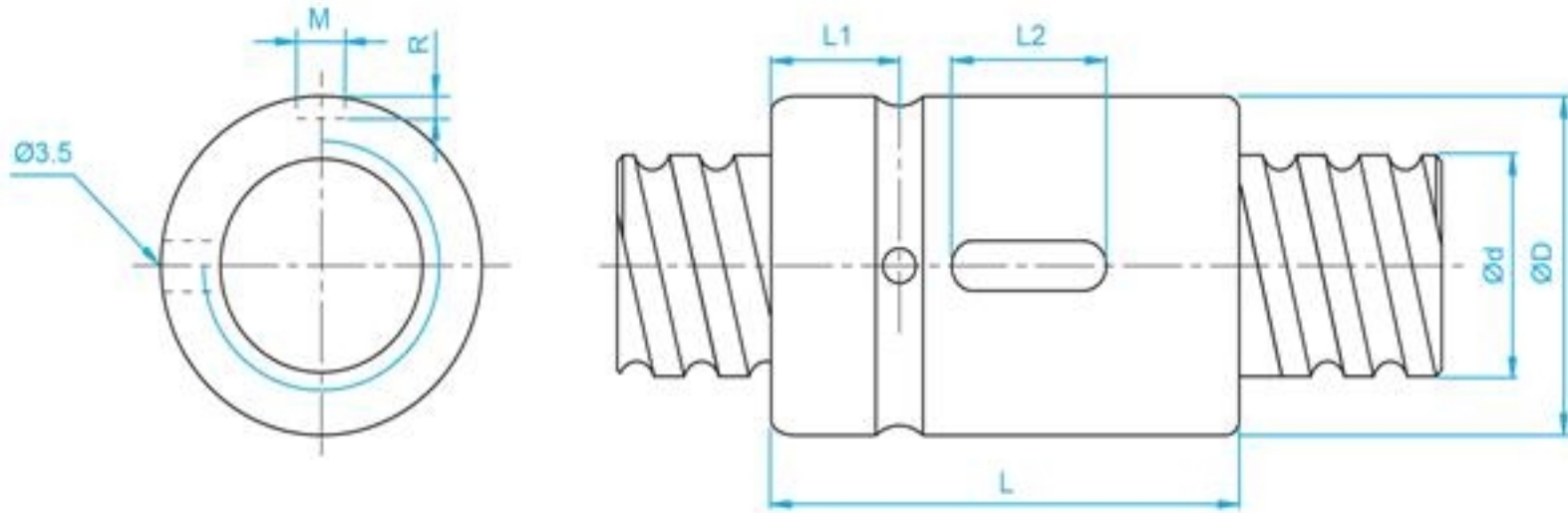
※ ☆ Left helix available ※

Unit: mm

| Model No. | d | l | Da | Dimension | | | | | | | | | | | Ca (kgf) | Coa (kgf) | K (kgf/ μ m) |
|-----------------|----|---|-----|-----------|----|---|----|----|----|-----|---|---|---|-----|----------|-----------|------------------|
| | | | | D | A | B | L | W | H | X | Y | Z | Q | n | | | |
| XSUR01204T3D-02 | 12 | 4 | 2.5 | 24 | 40 | 6 | 28 | 32 | 25 | 3.5 | - | - | - | 1x3 | 454 | 722 | - |
| XSUR01205T3D-00 | | 5 | 2.5 | 22 | 37 | 8 | 39 | 29 | 24 | 4.5 | - | - | - | 1x3 | 675 | 1316 | 17 |

Ball Screw

SCI Series Specifications



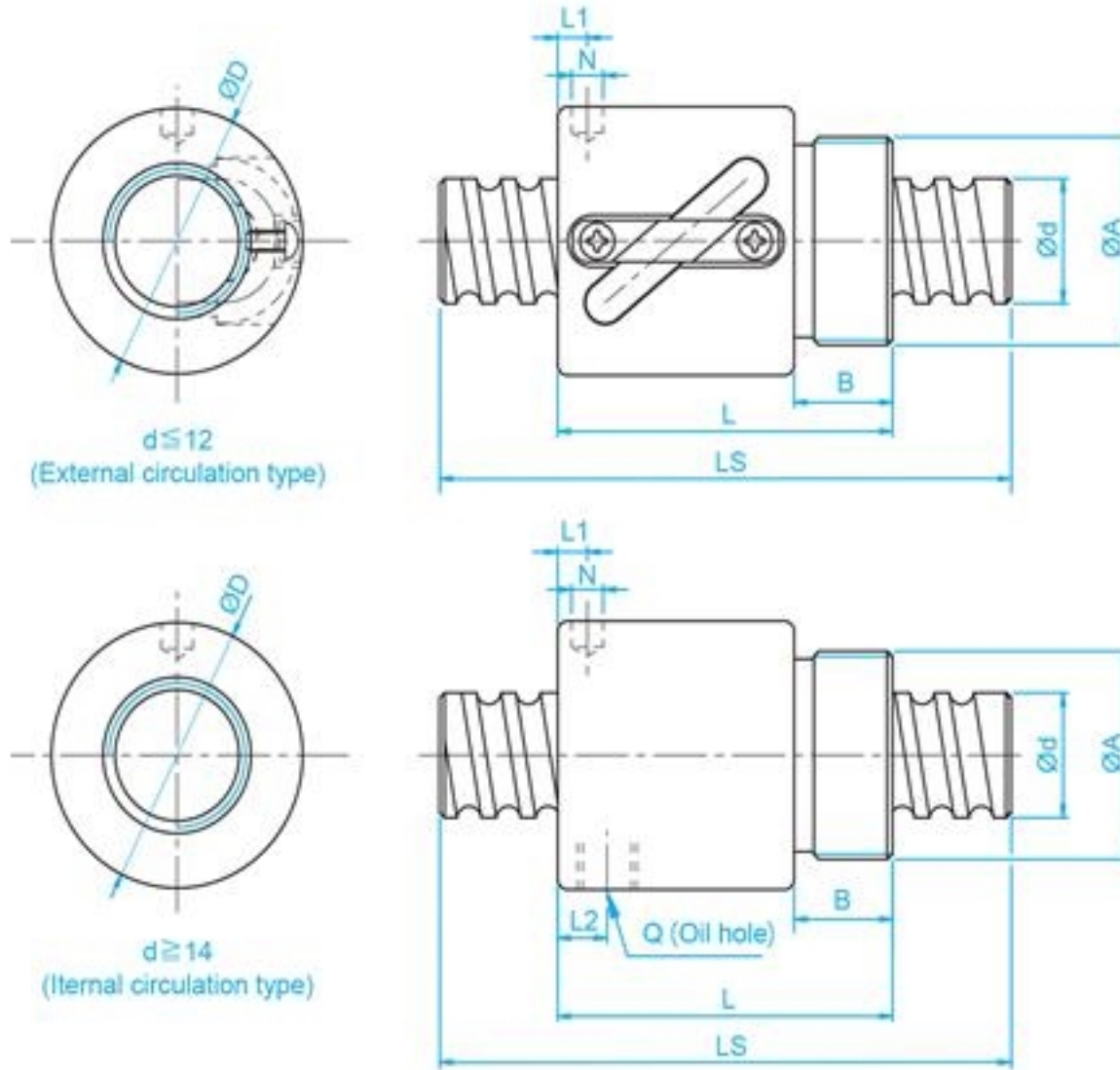
Unit: mm

| Model No. | d | l | Da | Dimension | | | | | | | Ca (kgf) | Coa (kgf) | K kgf/ µm |
|--------------|----|----|-------|-----------|----|----|----|---|-----|-----|----------|-----------|--------------|
| | | | | D | L | L1 | L2 | M | R | n | | | |
| SCI01604-4 | 16 | 4 | 2.381 | 30 | 40 | 9 | 15 | 3 | 1.5 | 1x4 | 973 | 2406 | 32 |
| ☆ SCI01605-4 | | 5 | 3.175 | 30 | 45 | 9 | 20 | 5 | 3 | 1x4 | 1380 | 3052 | 33 |
| SCI02004-4 | 20 | 4 | 2.381 | 34 | 40 | 9 | 15 | 3 | 1.5 | 1x4 | 1066 | 2987 | 37 |
| ☆ SCI02005-4 | | 5 | 3.175 | 34 | 45 | 9 | 20 | 5 | 3 | 1x4 | 1551 | 3875 | 39 |
| SCI02504-4 | 25 | 4 | 2.381 | 40 | 40 | 9 | 15 | 3 | 1.5 | 1x4 | 1180 | 3795 | 43 |
| ☆ SCI02505-4 | | 5 | 3.175 | 40 | 45 | 9 | 20 | 5 | 3 | 1x4 | 1724 | 4904 | 45 |
| SCI02510-4 | | 10 | 4.762 | 46 | 85 | 13 | 30 | 5 | 3 | 1x4 | 2954 | 7295 | 51 |
| SCI03204-4 | 32 | 4 | 2.381 | 46 | 40 | 9 | 15 | 3 | 1.5 | 1x4 | 1296 | 4838 | 49 |
| ☆ SCI03205-4 | | 5 | 3.175 | 46 | 45 | 9 | 20 | 5 | 3 | 1x4 | 1922 | 6343 | 52 |
| ☆ SCI03210-4 | | 10 | 6.35 | 54 | 85 | 13 | 30 | 5 | 3 | 1x4 | 4805 | 12208 | 62 |
| ☆ SCI04005-4 | 40 | 5 | 3.175 | 56 | 45 | 9 | 20 | 5 | 3 | 1x4 | 2110 | 7988 | 59 |
| ☆ SCI04010-4 | | 10 | 6.35 | 62 | 85 | 13 | 30 | 5 | 3 | 1x4 | 5399 | 15500 | 72 |
| SCI05010-4 | 50 | 10 | 6.35 | 72 | 85 | 13 | 30 | 5 | 3 | 1x4 | 6004 | 19614 | 83 |
| ☆ SCI06310-4 | 63 | 10 | 6.35 | 85 | 85 | 13 | 30 | 6 | 3.5 | 1x4 | 6719 | 25358 | 95 |
| ☆ SCI08010-4 | 80 | 10 | 6.35 | 105 | 85 | 13 | 30 | 8 | 4.5 | 1x4 | 7346 | 31953 | 109 |

※☆Left helix available※

Ball Screw

BSH Series Specifications



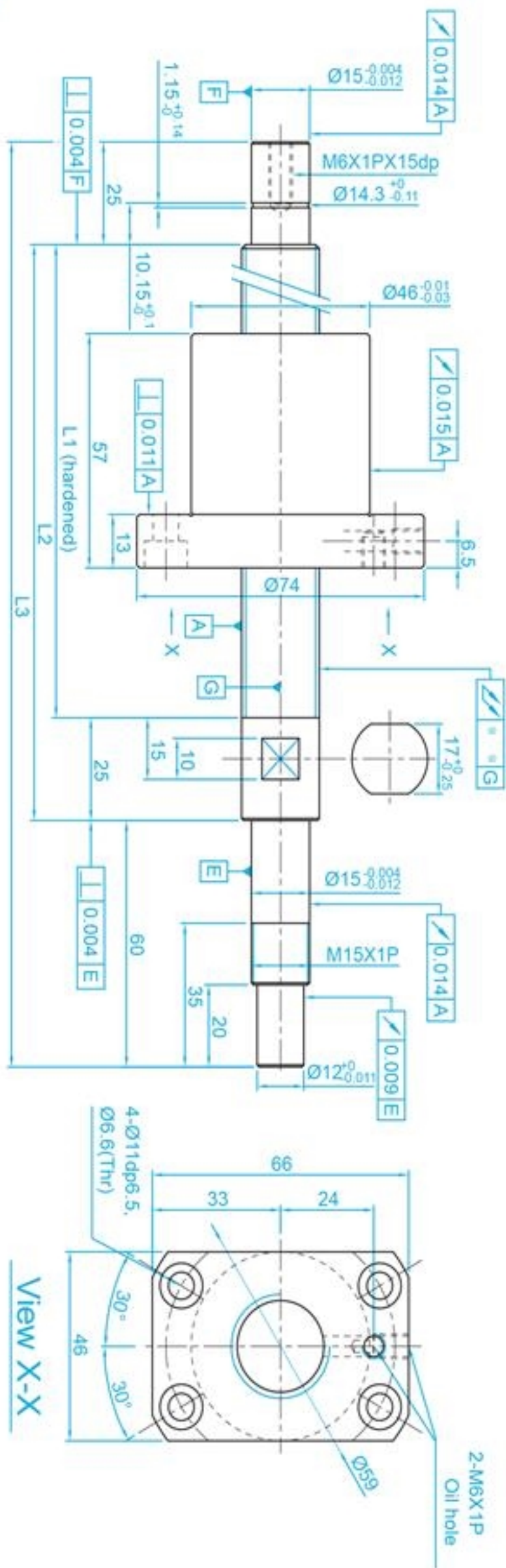
Unit: mm

| Model No. | d | l | Da | Dimension | | | | | | | | | Ca (kgf) | Coa (kgf) | K (kgf/μm) |
|----------------|----|-----|-------|-----------|----------|-----|------|-------|-----|----|----|-------|----------|-----------|------------|
| | | | | D | A | B | L | L1 | N | L2 | Q | n | | | |
| BSHR0082.5-2.5 | 8 | 2.5 | 1.2 | 17.5 | M15x1P | 7.5 | 23.5 | 10 | 3 | - | - | 2.5x1 | 189 | 381 | 11 |
| BSHR01002-3.5 | 10 | 2 | 1.2 | 19.5 | M17x1P | 7.5 | 22 | 3 | 3.2 | - | - | 3.5x1 | 277 | 664 | 17 |
| BSHR01004-2.5 | | 4 | 2 | 25 | M20x1P | 10 | 34 | 3 | 3 | - | - | 2.5x1 | 400 | 754 | 14 |
| BSHR01204-3.5 | 12 | 4 | 2.5 | 25.5 | M20x1P | 10 | 34 | 13 | 3 | - | - | 3.5x1 | 804 | 1649 | 23 |
| BSHR01205-3.5 | | 5 | 2.5 | 25.5 | M20x1P | 10 | 39 | 16.25 | 3 | - | - | 3.5x1 | 801 | 1644 | 24 |
| BSHR01404-3 | 14 | 4 | 2.5 | 32.1 | M25x1.5P | 10 | 35 | 11 | 3 | - | - | 1x3 | 748 | 1609 | 26 |
| BSHR01604-3 | 16 | 4 | 2.381 | 29 | M22x1.5P | 8 | 32 | 4 | 3.2 | - | - | 1x3 | 759 | 1804 | 24 |
| BSHR01605-3 | | 5 | 3.175 | 32.5 | M26x1.5P | 12 | 42 | 19.25 | 3 | - | - | 1x3 | 1077 | 2289 | 25 |
| BSHR01610-2 | | 10 | 3.175 | 32 | M26x1.5P | 12 | 50 | 3 | 4 | 3 | M4 | 1x2 | 675 | 1316 | 14 |
| BSHR02005-3 | 20 | 5 | 3.175 | 38 | M35x1.5P | 15 | 45 | 20.3 | 3 | - | - | 1x3 | 1211 | 2906 | 30 |
| BSHR02505-4 | 25 | 5 | 3.175 | 43 | M40x1.5P | 19 | 69 | 32.11 | 3 | 8 | M6 | 1x4 | 1724 | 4904 | 37 |
| BSHR02510-4 | | 10 | 4.762 | 43 | M40x1.5P | 19 | 84 | 8 | 6 | 8 | M6 | 1x4 | 2954 | 7295 | 41 |

※Standard ballnut from Ø8~Ø16 is assembled without wiper. ※

Ball Screw

XSVR02010-00 Series Specifications (Finish Shaft Ends)



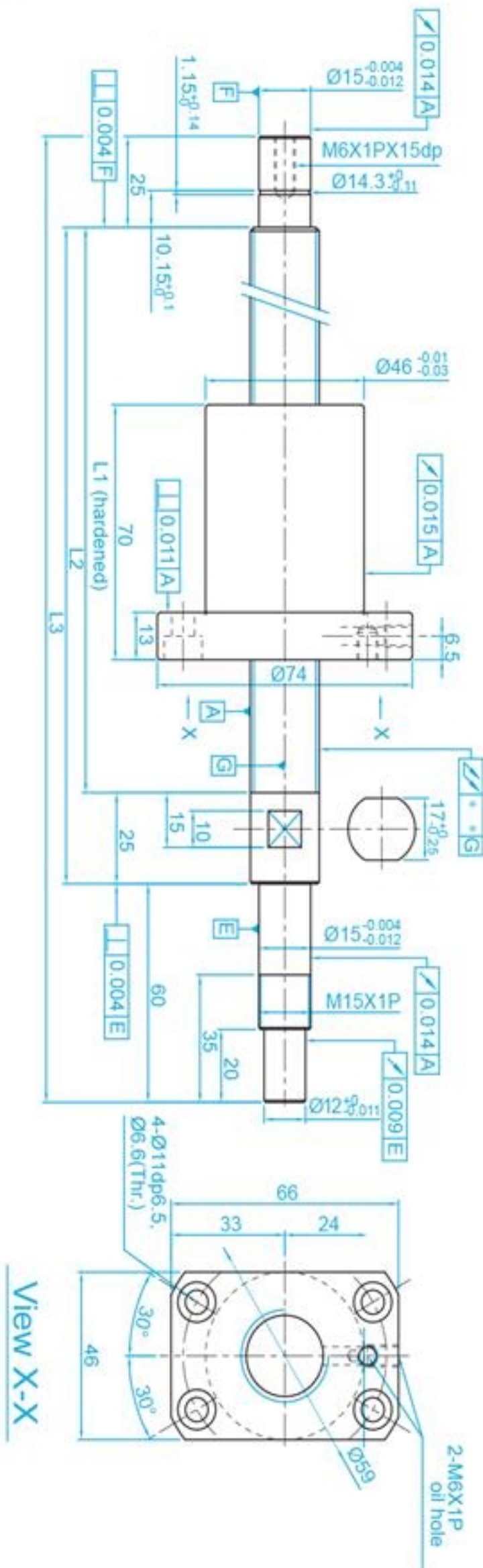
| | |
|------------------------------|---------|
| BCD | 21.35 |
| Ball Dia (mm) | 3.969 |
| Lead (mm) | 10 |
| No. of Turns | 2.7x1 |
| Lead Angle | 8.48° |
| Threading Direction | R |
| Spring Force (kg) | 0.1~0.3 |
| Preload (kgf) | 43 |
| Dynamic Load Rating Ca (kgf) | 1518 |
| Static Load Rating Coa (kgf) | 3398 |
| Accuracy Grade | 0.018 |

| Travel Length (mm) | Model No. | Shaft Length(mm) | | | Slant of Axle Center |
|--------------------|-------------------------|------------------|------|------|----------------------|
| | | L1 | L2 | L3 | |
| 200 | XSVR02010B1DGC5-399-P1 | 289 | 314 | 399 | 0.035 |
| 300 | XSVR02010B1DGC5-499-P1 | 389 | 414 | 499 | 0.040 |
| 400 | XSVR02010B1DGC5-599-P1 | 489 | 514 | 599 | 0.050 |
| 500 | XSVR02010B1DGC5-699-P1 | 589 | 614 | 699 | 0.065 |
| 600 | XSVR02010B1DGC5-799-P1 | 689 | 714 | 799 | 0.065 |
| 700 | XSVR02010B1DGC5-899-P1 | 789 | 814 | 899 | 0.085 |
| 800 | XSVR02010B1DGC5-999-P1 | 889 | 914 | 999 | 0.085 |
| 900 | XSVR02010B1DGC5-1099-P1 | 989 | 1014 | 1099 | 0.110 |
| 1000 | XSVR02010B1DGC5-1199-P1 | 1089 | 1114 | 1199 | 0.110 |

Unit: mm

Ball Screw

XSVR02020-00 Series Specifications (Finish Shaft Ends)



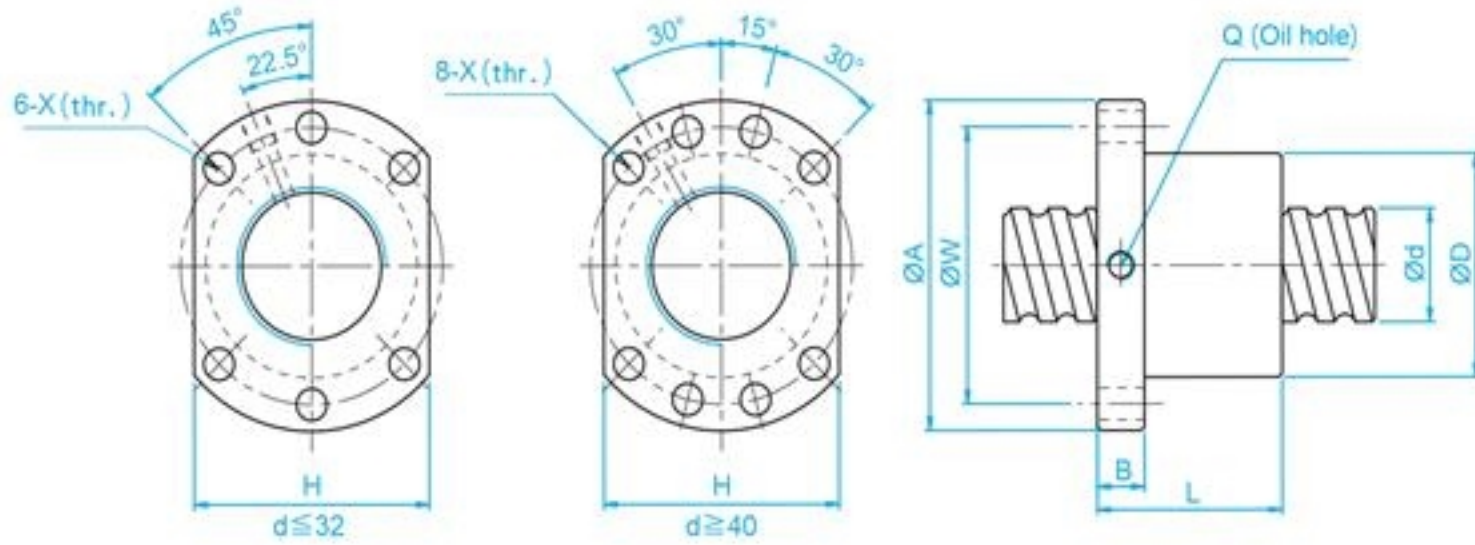
| | |
|------------------------------|---------|
| BCD | 20.75 |
| Ball Dia (mm) | 3.175 |
| Lead (mm) | 20 |
| No. of Turns | 1.8x1 |
| Lead Angle | 17.05° |
| Threading Direction | R |
| Spring Force (kg) | 0.1~0.3 |
| Preload (kgf) | 31 |
| Dynamic Load Rating Ca (kgf) | 764 |
| Static Load Rating Coa (kgf) | 1758 |
| Accuracy Grade | 0.018 |

| Travel Length (mm) | Model No. | Shaft Length(mm) | | | Slant of Axle Center |
|--------------------|-------------------------|------------------|------|------|----------------------|
| | | L1 | L2 | L3 | |
| 200 | XSVR02020A1DGC5-399-P1 | 289 | 314 | 399 | 0.035 |
| 300 | XSVR02020A1DGC5-499-P1 | 389 | 414 | 499 | 0.040 |
| 400 | XSVR02020A1DGC5-599-P1 | 489 | 514 | 599 | 0.050 |
| 500 | XSVR02020A1DGC5-699-P1 | 589 | 614 | 699 | 0.065 |
| 600 | XSVR02020A1DGC5-799-P1 | 689 | 714 | 799 | 0.065 |
| 700 | XSVR02020A1DGC5-899-P1 | 789 | 814 | 899 | 0.085 |
| 800 | XSVR02020A1DGC5-999-P1 | 889 | 914 | 999 | 0.085 |
| 900 | XSVR02020A1DGC5-1099-P1 | 989 | 1014 | 1099 | 0.110 |
| 1000 | XSVR02020A1DGC5-1199-P1 | 1089 | 1114 | 1199 | 0.110 |

Unit : mm

Ball Screw

SFU (DIN 69051 FORM B) Series Specifications

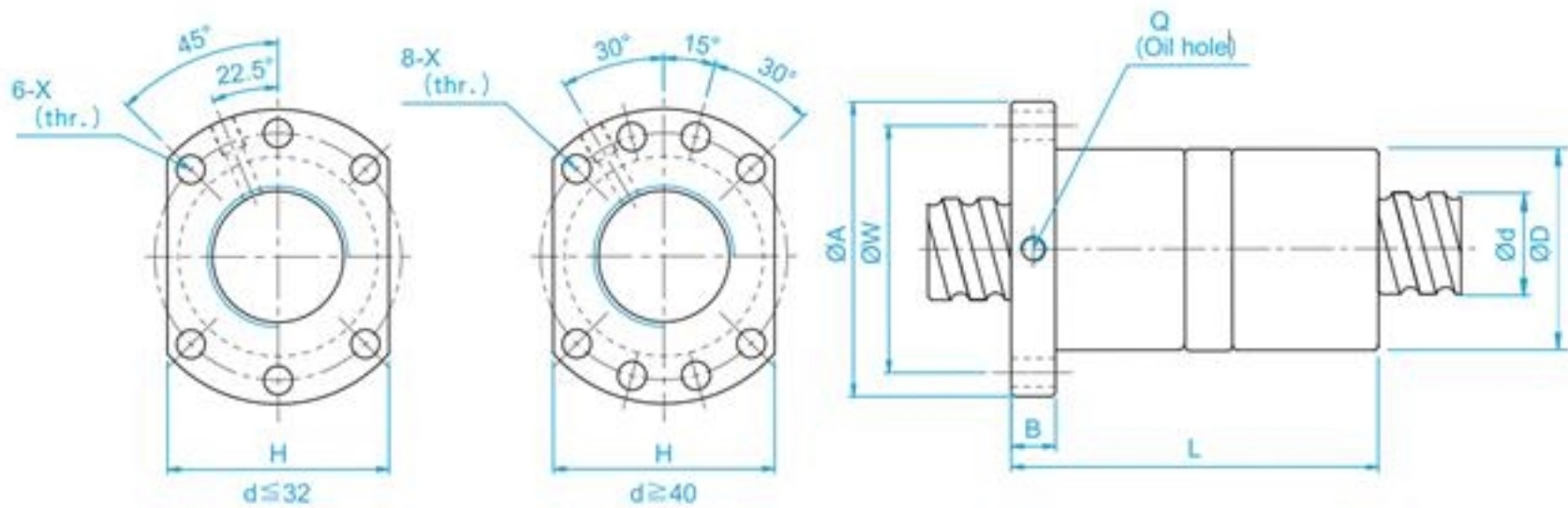


Unit: mm

| Model No. | d | l | Da | Dimension | | | | | | | | | Ca (kgf) | Coa (kgf) | K kgf/ μ m |
|--------------|-----|-------|-------|-----------|-----|----|-----|-----|-----|------|-----|------|----------|-----------|----------------|
| | | | | D | A | B | L | W | H | X | Q | n | | | |
| SFU01204-4 | 12 | 4 | 2.5 | 24 | 40 | 10 | 40 | 32 | 30 | 4.5 | | 1x4 | 902 | 1884 | 26 |
| SFU01604-4 | 16 | 4 | 2.381 | 28 | 48 | 10 | 40 | 38 | 40 | 5.5 | M6 | 1x4 | 973 | 2406 | 32 |
| ☆ SFU01605-4 | | 5 | 3.175 | 28 | 48 | 10 | 50 | 38 | 40 | 5.5 | M6 | 1x4 | 1380 | 3052 | 32 |
| ☆ SFU01610-3 | | 10 | 3.175 | 28 | 48 | 10 | 57 | 38 | 40 | 5.5 | M6 | 1x3 | 1103 | 2401 | 26 |
| SFU02004-4 | 20 | 4 | 2.381 | 36 | 58 | 10 | 42 | 47 | 44 | 6.6 | M6 | 1x4 | 1066 | 2987 | 38 |
| ☆ SFU02005-4 | | 5 | 3.175 | 36 | 58 | 10 | 51 | 47 | 44 | 6.6 | M6 | 1x4 | 1551 | 3875 | 39 |
| SFU02504-4 | 25 | 4 | 2.381 | 40 | 62 | 10 | 42 | 51 | 48 | 6.6 | M6 | 1x4 | 1180 | 3795 | 43 |
| ☆ SFU02505-4 | | 5 | 3.175 | 40 | 62 | 10 | 51 | 51 | 48 | 6.6 | M6 | 1x4 | 1724 | 4904 | 45 |
| SFU02506-4 | | 6 | 3.969 | 40 | 62 | 10 | 54 | 51 | 48 | 6.6 | M6 | 1x4 | 2318 | 6057 | 47 |
| SFU02508-4 | | 8 | 4.762 | 40 | 62 | 10 | 63 | 51 | 48 | 6.6 | M6 | 1x4 | 2963 | 7313 | 49 |
| ☆ SFU02510-4 | 10 | 4.762 | 40 | 62 | 12 | 85 | 51 | 48 | 6.6 | M6 | 1x4 | 2954 | 7295 | 50 | |
| SFU03204-4 | 32 | 4 | 2.381 | 50 | 80 | 12 | 44 | 65 | 62 | 9 | M6 | 1x4 | 1296 | 4838 | 51 |
| ☆ SFU03205-4 | | 5 | 3.175 | 50 | 80 | 12 | 52 | 65 | 62 | 9 | M6 | 1x4 | 1922 | 6343 | 54 |
| SFU03206-4 | | 6 | 3.969 | 50 | 80 | 12 | 57 | 65 | 62 | 9 | M6 | 1x4 | 2632 | 7979 | 57 |
| SFU03208-4 | | 8 | 4.762 | 50 | 80 | 12 | 65 | 65 | 62 | 9 | M6 | 1x4 | 3387 | 9622 | 60 |
| ☆ SFU03210-4 | | 10 | 6.35 | 50 | 80 | 12 | 90 | 65 | 62 | 9 | M6 | 1x4 | 4805 | 12208 | 61 |
| ☆ SFU04005-4 | 40 | 5 | 3.175 | 63 | 93 | 14 | 55 | 78 | 70 | 9 | M8 | 1x4 | 2110 | 7988 | 63 |
| SFU04006-4 | | 6 | 3.969 | 63 | 93 | 14 | 60 | 78 | 70 | 9 | M6 | 1x4 | 2873 | 9913 | 66 |
| SFU04008-4 | | 8 | 4.762 | 63 | 93 | 14 | 67 | 78 | 70 | 9 | M6 | 1x4 | 3712 | 11947 | 70 |
| ☆ SFU04010-4 | | 10 | 6.35 | 63 | 93 | 14 | 93 | 78 | 70 | 9 | M8 | 1x4 | 5399 | 15500 | 73 |
| ☆ SFU05010-4 | 50 | 10 | 6.35 | 75 | 110 | 16 | 93 | 93 | 85 | 11 | M8 | 1x4 | 6004 | 19614 | 85 |
| ☆ SFU05020-4 | | 20 | 7.144 | 75 | 110 | 16 | 138 | 93 | 85 | 11 | M8 | 1x4 | 7142 | 22588 | 94 |
| ☆ SFU06310-4 | 63 | 10 | 6.35 | 90 | 125 | 18 | 98 | 108 | 95 | 11 | M8 | 1x4 | 6719 | 25358 | 99 |
| SFU06320-4 | | 20 | 9.525 | 95 | 135 | 20 | 149 | 115 | 100 | 13.5 | M8 | 1x4 | 11444 | 36653 | 112 |
| ☆ SFU08010-4 | 80 | 10 | 6.35 | 105 | 145 | 20 | 98 | 125 | 110 | 13.5 | M8 | 1x4 | 7346 | 31953 | 109 |
| SFU08020-4 | | 20 | 9.525 | 125 | 165 | 25 | 154 | 145 | 130 | 13.5 | M8 | 1x4 | 12911 | 47747 | 138 |
| SFU10020-4 | 100 | 20 | 9.525 | 150 | 202 | 30 | 180 | 170 | 155 | 17.5 | M8 | 1x4 | 14303 | 60698 | 162 |

※☆Left helix available※

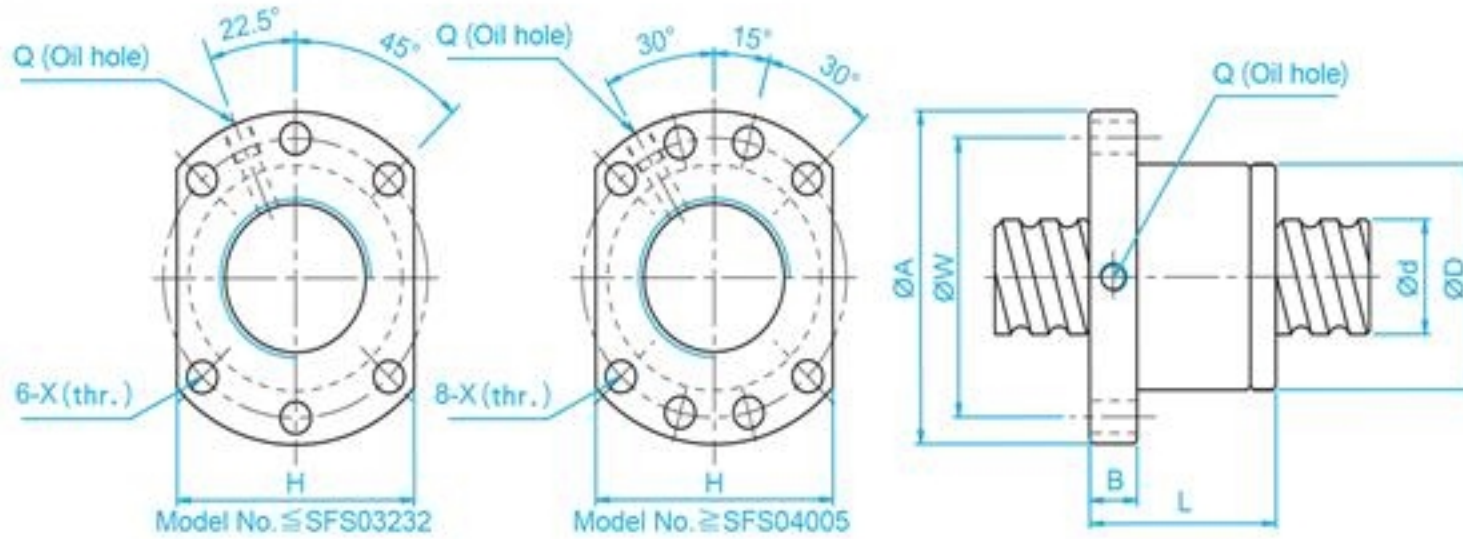
Ball Screw



| Model | Nominal diameter | Lead | Ball diameter | Nut size | | | | | | | | | Rated load (Kgf) | | Rigidity (Kgf/D μm) |
|------------|------------------|------|---------------|----------|-----|----|-----|-----|-----|------|----|-----|------------------|-------|---------------------|
| | | | | D | A | B | L | W | H | X | Q | n | Ca | Coa | |
| DFU1604-4 | 16 | 4 | 2.381 | 28 | 48 | 10 | 80 | 38 | 40 | 5.5 | M6 | 1x4 | 973 | 2406 | 43 |
| DFU1605-4 | | 5 | 3.175 | 28 | 48 | 10 | 100 | 38 | 40 | 5.5 | M6 | 1x4 | 1380 | 3052 | 44 |
| DFU1610-3 | | 10 | 3.175 | 28 | 48 | 10 | 118 | 38 | 40 | 5.5 | M6 | 1x3 | 1103 | 2401 | 35 |
| DFU2004-4 | 20 | 4 | 2.381 | 36 | 58 | 10 | 80 | 47 | 44 | 6.6 | M6 | 1x4 | 1066 | 2987 | 51 |
| DFU2005-4 | | 5 | 3.175 | 36 | 58 | 10 | 101 | 47 | 44 | 6.6 | M6 | 1x4 | 1551 | 3875 | 53 |
| DFU2504-4 | 25 | 4 | 2.381 | 40 | 62 | 10 | 80 | 51 | 48 | 6.6 | M6 | 1x4 | 1180 | 3795 | 60 |
| DFU2505-4 | | 5 | 3.175 | 40 | 62 | 10 | 101 | 51 | 48 | 6.6 | M6 | 1x4 | 1724 | 4904 | 62 |
| DFU2506-4 | | 6 | 3.969 | 40 | 62 | 10 | 105 | 51 | 48 | 6.6 | M6 | 1x4 | 2318 | 6057 | 64 |
| DFU2508-4 | | 8 | 4.762 | 40 | 62 | 10 | 120 | 51 | 48 | 6.6 | M6 | 1x4 | 2963 | 7313 | 67 |
| DFU2510-4 | | 10 | 4.762 | 40 | 62 | 12 | 145 | 51 | 48 | 6.6 | M6 | 1x4 | 2954 | 7295 | 67 |
| DFU3204-4 | 32 | 4 | 2.681 | 50 | 80 | 12 | 80 | 65 | 62 | 9 | M6 | 1x4 | 1296 | 4838 | 71 |
| DFU3205-4 | | 5 | 3.175 | 50 | 80 | 12 | 102 | 65 | 62 | 9 | M6 | 1x4 | 1922 | 6343 | 74 |
| DFU3206-4 | | 6 | 3.969 | 50 | 80 | 12 | 105 | 65 | 62 | 9 | M6 | 1x4 | 2632 | 7979 | 78 |
| DFU3208-4 | | 8 | 4.762 | 50 | 80 | 12 | 122 | 65 | 62 | 9 | M6 | 1x4 | 3387 | 9622 | 82 |
| DFU3210-4 | | 10 | 6.35 | 50 | 80 | 12 | 162 | 65 | 62 | 9 | M6 | 1x4 | 4805 | 12208 | 82 |
| DFU4005-4 | 40 | 5 | 3.175 | 63 | 93 | 14 | 105 | 78 | 70 | 9 | M8 | 1x4 | 2110 | 7988 | 87 |
| DFU4006-4 | | 6 | 3.969 | 63 | 93 | 14 | 108 | 78 | 70 | 9 | M6 | 1x4 | 2873 | 9913 | 91 |
| DFU4008-4 | | 8 | 4.762 | 63 | 93 | 14 | 132 | 78 | 70 | 9 | M6 | 1x4 | 3712 | 11947 | 96 |
| DFU4010-4 | | 10 | 6.35 | 63 | 93 | 14 | 165 | 78 | 70 | 9 | M8 | 1x4 | 5399 | 15500 | 99 |
| DFU5010-4 | 50 | 10 | 6.35 | 75 | 110 | 16 | 171 | 93 | 85 | 11 | M8 | 1x4 | 6004 | 19614 | 117 |
| DFU5020-4 | | 20 | 7.144 | 75 | 110 | 16 | 280 | 93 | 85 | 11 | M8 | 1x4 | 7142 | 22588 | 126 |
| DFU6310-4 | 63 | 10 | 6.35 | 90 | 125 | 18 | 182 | 108 | 95 | 11 | M8 | 1x4 | 6719 | 25358 | 139 |
| DFU6320-4 | | 20 | 9.525 | 95 | 135 | 20 | 290 | 115 | 100 | 13.5 | M8 | 1x4 | 11444 | 36653 | 152 |
| DFU8010-4 | 80 | 10 | 6.35 | 105 | 145 | 20 | 182 | 125 | 110 | 13.5 | M8 | 1x4 | 7346 | 31953 | 156 |
| DFU8020-4 | | 20 | 9.525 | 125 | 165 | 25 | 295 | 145 | 130 | 13.5 | M8 | 1x4 | 12911 | 47747 | 187 |
| DFU10020-4 | 100 | 20 | 9.525 | 150 | 202 | 30 | 340 | 170 | 155 | 17.5 | M8 | 1x4 | 14303 | 60698 | 222 |

Ball Screw

SFS (DIN 69051 FORM B) Series Specifications

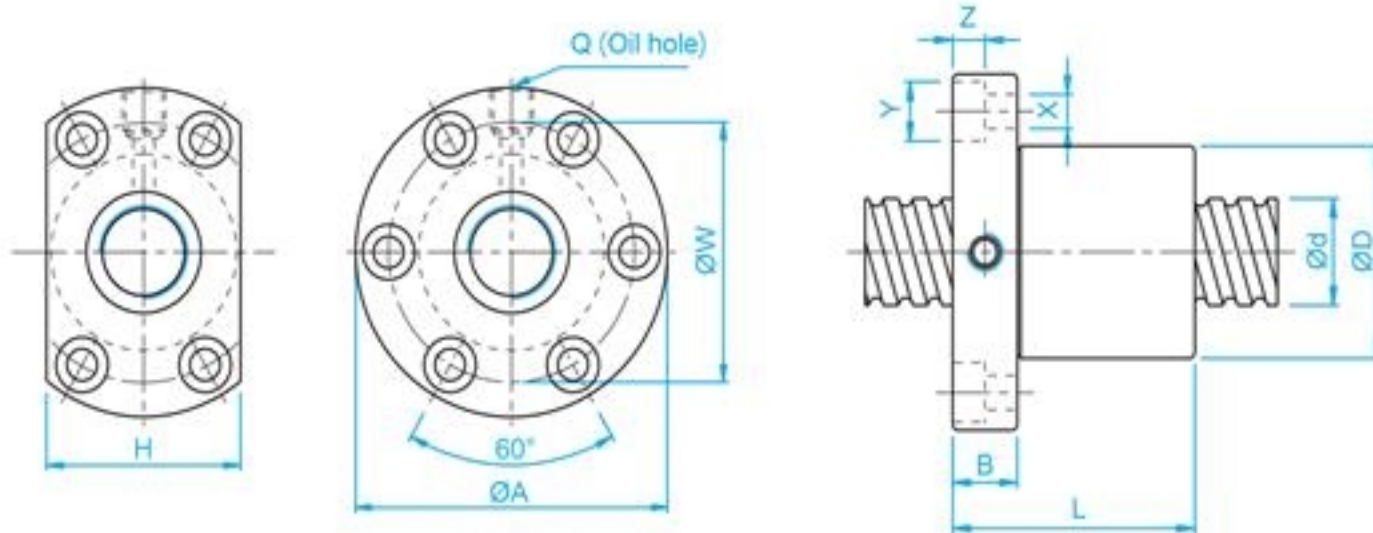


Unit: mm

| Model No. | d | l | Da | Dimension | | | | | | | | | Ca (kgf) | Coa (kgf) | K kgf/μm |
|--------------|----|----|-------|-----------|-----|----|------|----|----|-----|----|-------|----------|-----------|----------|
| | | | | D | A | B | L | W | H | X | Q | n | | | |
| SFS01205-2.8 | 12 | 5 | 2.5 | 24 | 40 | 10 | 31 | 32 | 30 | 4.5 | | 2.8x1 | 661 | 1316 | 19 |
| SFS01210-2.8 | | 10 | 2.5 | 24 | 40 | 10 | 48.5 | 32 | 30 | 4.5 | | 2.8x1 | 642 | 1287 | 19 |
| SFS01605-3.8 | 15 | 5 | 2.778 | 28 | 48 | 10 | 38 | 38 | 40 | 5.5 | M6 | 3.8x1 | 1112 | 2507 | 30 |
| SFS01610-2.8 | | 10 | 2.778 | 28 | 48 | 10 | 47 | 38 | 40 | 5.5 | M6 | 2.8x1 | 839 | 1821 | 23 |
| SFS01616-1.8 | | 16 | 2.778 | 28 | 48 | 10 | 45 | 38 | 40 | 5.5 | M6 | 1.8x1 | 552 | 1137 | 14 |
| SFS01616-2.8 | | 16 | 2.778 | 28 | 48 | 10 | 61 | 38 | 40 | 5.5 | M6 | 2.8x1 | 808 | 1769 | 22 |
| SFS01620-1.8 | | 20 | 2.778 | 28 | 48 | 10 | 57 | 38 | 40 | 5.5 | M6 | 1.8x1 | 554 | 1170 | 14 |
| SFS02005-3.8 | 20 | 5 | 3.175 | 36 | 58 | 10 | 40 | 47 | 44 | 6.6 | M6 | 3.8x1 | 1484 | 3681 | 37 |
| SFS02010-3.8 | | 10 | 3.175 | 36 | 58 | 10 | 60 | 47 | 44 | 6.6 | M6 | 3.8x1 | 1516 | 3833 | 40 |
| SFS02020-1.8 | | 20 | 3.175 | 36 | 58 | 10 | 57 | 47 | 44 | 6.6 | M6 | 1.8x1 | 764 | 1758 | 19 |
| SFS02020-2.8 | | 20 | 3.175 | 36 | 58 | 10 | 77 | 47 | 44 | 6.6 | M6 | 2.8x1 | 1118 | 2734 | 29 |
| SFS02505-3.8 | 25 | 5 | 3.175 | 40 | 62 | 10 | 40 | 51 | 48 | 6.6 | M6 | 3.8x1 | 1650 | 4658 | 43 |
| SFS02510-3.8 | | 10 | 3.175 | 40 | 62 | 12 | 62 | 51 | 48 | 6.6 | M6 | 3.8x1 | 1638 | 4633 | 45 |
| SFS02525-1.8 | | 25 | 3.175 | 40 | 62 | 12 | 70 | 51 | 48 | 6.6 | M6 | 1.8x1 | 843 | 2199 | 22 |
| SFS02525-2.8 | | 25 | 3.175 | 40 | 62 | 12 | 95 | 51 | 48 | 6.6 | M6 | 2.8x1 | 1232 | 3421 | 34 |
| SFS03205-3.8 | 32 | 5 | 3.175 | 50 | 80 | 12 | 42 | 65 | 62 | 9 | M6 | 3.8x1 | 1839 | 6026 | 51 |
| SFS03210-3.8 | 31 | 10 | 3.969 | 50 | 80 | 13 | 62 | 65 | 62 | 9 | M6 | 3.8x1 | 2460 | 7255 | 55 |
| SFS03220-2.8 | | 20 | 3.969 | 50 | 80 | 12 | 80 | 65 | 62 | 9 | M6 | 2.8x1 | 1907 | 5482 | 43 |
| SFS03232-1.8 | | 32 | 3.969 | 50 | 80 | 13 | 84 | 65 | 62 | 9 | M6 | 1.8x1 | 1257 | 3426 | 27 |
| SFS03232-2.8 | | 32 | 3.969 | 50 | 80 | 13 | 116 | 65 | 62 | 9 | M6 | 2.8x1 | 1838 | 5329 | 42 |
| SFS04005-3.8 | 40 | 5 | 3.175 | 63 | 93 | 15 | 45 | 78 | 70 | 9 | M8 | 3.8x1 | 2018 | 7589 | 60 |
| SFS04010-3.8 | 38 | 10 | 6.35 | 63 | 93 | 14 | 63 | 78 | 70 | 9 | M8 | 3.8x1 | 5035 | 13943 | 67 |
| SFS04020-2.8 | | 20 | 6.35 | 63 | 93 | 14 | 82 | 78 | 70 | 9 | M8 | 2.8x1 | 3959 | 10715 | 54 |
| SFS04040-1.8 | | 40 | 6.35 | 63 | 93 | 15 | 105 | 78 | 70 | 9 | M8 | 1.8x1 | 2585 | 6648 | 34 |
| SFS04040-2.8 | | 40 | 6.35 | 63 | 93 | 15 | 145 | 78 | 70 | 9 | M8 | 2.8x1 | 3780 | 10341 | 52 |
| SFS05005-3.8 | 50 | 5 | 3.175 | 75 | 110 | 15 | 45 | 93 | 85 | 11 | M8 | 3.8x1 | 2207 | 9542 | 68 |
| SFS05010-3.8 | 48 | 10 | 6.35 | 75 | 110 | 18 | 68 | 93 | 85 | 11 | M8 | 3.8x1 | 5638 | 17852 | 79 |
| SFS05012-3.8 | | 12 | 6.35 | 75 | 110 | 18 | 75 | 93 | 85 | 11 | M8 | 3.8x1 | 5632 | 17836 | 81 |
| SFS05020-3.8 | | 20 | 6.35 | 75 | 110 | 18 | 108 | 93 | 85 | 11 | M8 | 3.8x1 | 5749 | 18485 | 87 |
| SFS05050-1.8 | | 50 | 6.35 | 75 | 110 | 18 | 125 | 93 | 85 | 11 | M8 | 1.8x1 | 2946 | 8749 | 42 |
| SFS05050-2.8 | | 50 | 6.35 | 75 | 110 | 18 | 175 | 93 | 85 | 11 | M8 | 2.8x1 | 4308 | 13610 | 65 |

Ball Screw

SFI Series Specifications



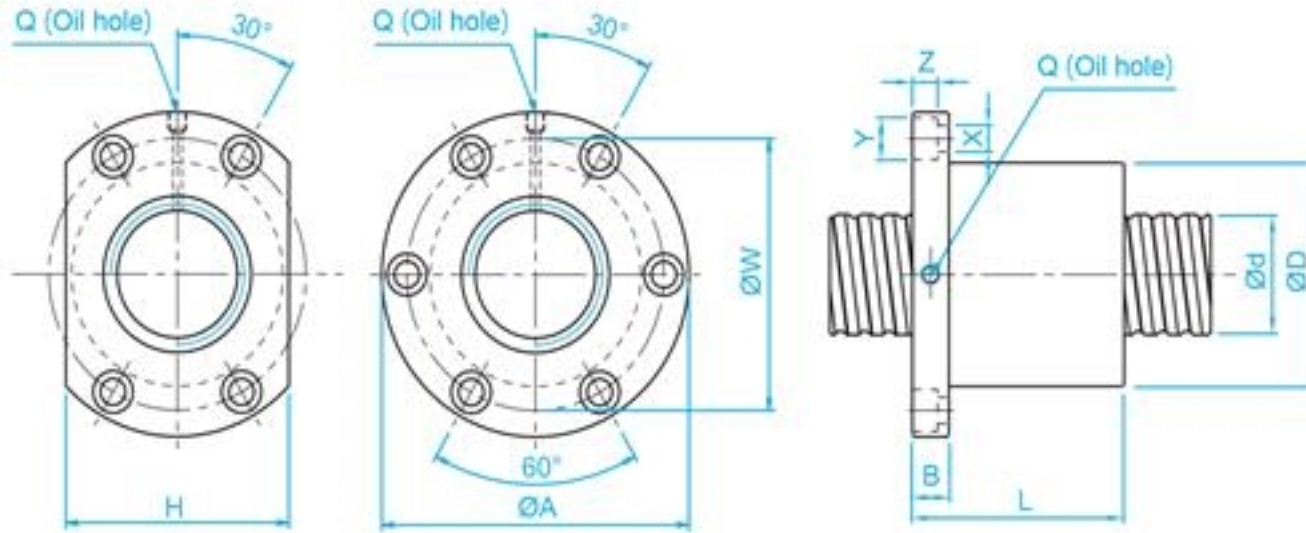
Unit: mm

| Model No. | d | l | Da | Dimension | | | | | | | | | | | Ca (kgf) | Coa (kgf) | K kgf/μm |
|--------------|----|------|-------|-----------|-----|----|----|-----|-----|-----|------|-----|----|-----|----------|-----------|----------|
| | | | | D | A | B | L | W | H | X | Y | Z | Q | n | | | |
| SFI01604-4 | 16 | 4 | 2.381 | 30 | 49 | 10 | 45 | 39 | 34 | 4.5 | 8 | 4.5 | M6 | 1x4 | 973 | 2406 | 32 |
| ☆ SFI01605-4 | | 5 | 3.175 | 30 | 49 | 10 | 50 | 39 | 34 | 4.5 | 8 | 4.5 | M6 | 1x4 | 1380 | 3052 | 33 |
| ☆ SFI01610-3 | | 10 | 3.175 | 34 | 58 | 10 | 57 | 45 | 34 | 5.5 | 9.5 | 5.5 | M6 | 1x3 | 1103 | 2401 | 27 |
| SFI02004-4 | 20 | 4 | 2.381 | 34 | 57 | 11 | 46 | 45 | 40 | 5.5 | 9.5 | 5.5 | M6 | 1x4 | 1066 | 2987 | 37 |
| ☆ SFI02005-4 | | 5 | 3.175 | 34 | 57 | 11 | 51 | 45 | 40 | 5.5 | 9.5 | 5.5 | M6 | 1x4 | 1551 | 3875 | 39 |
| SFI0205T-4 | | 5.08 | 3.175 | 34 | 57 | 11 | 51 | 45 | 40 | 5.5 | 9.5 | 5.5 | M6 | 1x4 | 1550 | 3875 | 39 |
| ☆ SFI02504-4 | 25 | 4 | 2.381 | 40 | 63 | 11 | 46 | 51 | 46 | 5.5 | 9.5 | 5.5 | M6 | 1x4 | 1180 | 3795 | 43 |
| ☆ SFI02505-4 | | 5 | 3.175 | 40 | 63 | 11 | 51 | 51 | 46 | 5.5 | 9.5 | 5.5 | M8 | 1x4 | 1724 | 4904 | 45 |
| SFI0255T-4 | | 5.08 | 3.175 | 40 | 63 | 11 | 51 | 51 | 46 | 5.5 | 9.5 | 5.5 | M8 | 1x4 | 1724 | 4904 | 45 |
| ☆ SFI02510-4 | | 10 | 4.762 | 46 | 72 | 12 | 85 | 58 | 52 | 6.5 | 11 | 6.5 | M6 | 1x4 | 2954 | 7295 | 51 |
| SFI03204-4 | 32 | 4 | 2.381 | 46 | 72 | 12 | 47 | 58 | 52 | 6.5 | 11 | 6.5 | M6 | 1x4 | 1296 | 4838 | 49 |
| ☆ SFI03205-4 | | 5 | 3.175 | 46 | 72 | 12 | 52 | 58 | 52 | 6.5 | 11 | 6.5 | M8 | 1x4 | 1922 | 6343 | 52 |
| ☆ SFI03210-4 | | 10 | 6.35 | 54 | 88 | 15 | 90 | 70 | 62 | 9 | 14 | 8.5 | M8 | 1x4 | 4805 | 12208 | 62 |
| ☆ SFI04005-4 | 40 | 5 | 3.175 | 56 | 90 | 15 | 55 | 72 | 64 | 9 | 14 | 8.5 | M8 | 1x4 | 2110 | 7988 | 59 |
| ☆ SFI04010-4 | | 10 | 6.35 | 62 | 104 | 18 | 93 | 82 | 70 | 11 | 17.5 | 11 | M8 | 1x4 | 5399 | 15500 | 72 |
| ☆ SFI05010-4 | 50 | 10 | 6.35 | 72 | 114 | 18 | 93 | 92 | 82 | 11 | 17.5 | 11 | M8 | 1x4 | 6004 | 19614 | 83 |
| ☆ SFI06310-4 | 63 | 10 | 6.35 | 85 | 131 | 22 | 98 | 107 | 95 | 14 | 20 | 13 | M8 | 1x4 | 6719 | 25358 | 95 |
| SFI08010-4 | 80 | 10 | 6.35 | 105 | 150 | 22 | 98 | 127 | 115 | 14 | 20 | 13 | M8 | 1x4 | 7346 | 31953 | 109 |

※ ☆ Left helix available ※

Ball Screw

SFV Series Specifications

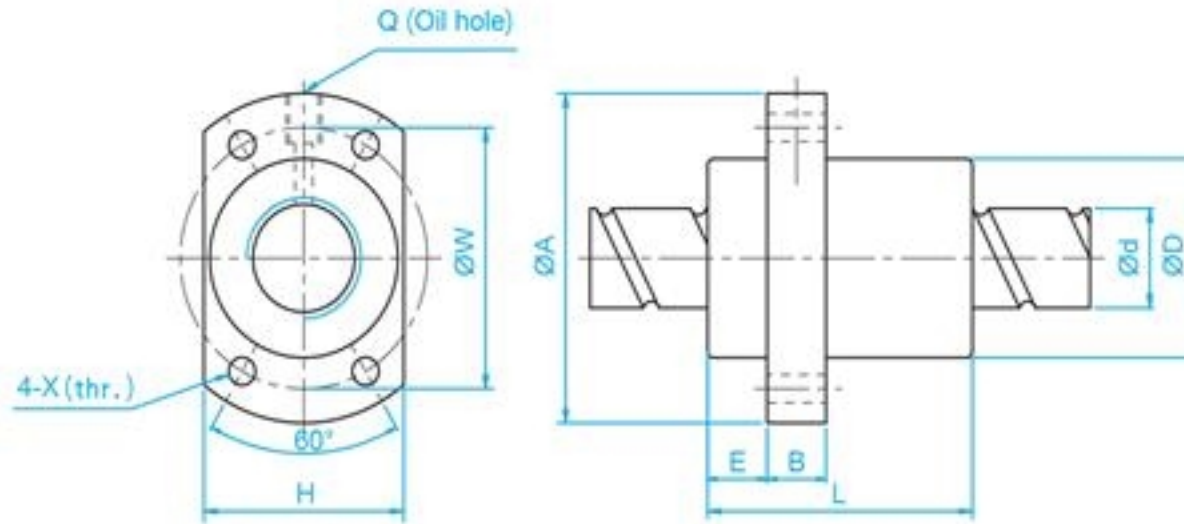


Unit: mm

| Model No. | d | l | Da | Dimension | | | | | | | | | | | Ca (kgf) | Coa (kgf) | K kgf/ μ m |
|--------------|----|----|-------|-----------|-----|----|-----|-----|-----|-----|------|------|----|-------|----------|-----------|----------------|
| | | | | D | A | B | L | W | H | X | Y | Z | Q | n | | | |
| SFV01205-2.8 | 12 | 5 | 2.5 | 30 | 50 | 10 | 42 | 40 | 32 | 4.5 | 8 | 4.5 | M6 | 2.8x1 | 661 | 1316 | 19 |
| SFV01210-2.7 | | 10 | 2.5 | 30 | 50 | 10 | 53 | 40 | 32 | 4.5 | 8 | 4.5 | M6 | 2.7x1 | 623 | 1241 | 18 |
| SFV01510-2.7 | 15 | 10 | 3.175 | 34 | 58 | 10 | 57 | 45 | 34 | 5.5 | 9.5 | 5.5 | M6 | 2.7x1 | 972 | 2020 | 23 |
| SFV01604-3.8 | 16 | 4 | 2.381 | 34 | 57 | 11 | 45 | 45 | 34 | 5.5 | 9.5 | 5.5 | M6 | 3.8x1 | 931 | 2285 | 31 |
| SFV01605-4.8 | | 5 | 3.175 | 40 | 63 | 11 | 58 | 51 | 42 | 5.5 | 9.5 | 5.5 | M6 | 4.8x1 | 1614 | 3662 | 40 |
| SFV01610-2.7 | | 10 | 3.175 | 40 | 63 | 11 | 56 | 51 | 42 | 5.5 | 9.5 | 5.5 | M6 | 2.7x1 | 1008 | 2161 | 24 |
| SFV02004-4.8 | 20 | 4 | 2.381 | 40 | 60 | 10 | 50 | 50 | 40 | 4.5 | 8 | 4 | M6 | 4.8x1 | 1247 | 3584 | 45 |
| SFV02005-4.8 | | 5 | 3.175 | 44 | 67 | 11 | 57 | 55 | 52 | 5.5 | 9.5 | 5.5 | M6 | 4.8x1 | 1814 | 4650 | 47 |
| SFV02010-2.7 | | 10 | 3.969 | 46 | 74 | 13 | 57 | 59 | 46 | 6.6 | 11 | 6.5 | M6 | 2.7x1 | 1518 | 3398 | 30 |
| SFV02020-1.8 | | 20 | 3.175 | 46 | 74 | 13 | 70 | 59 | 46 | 6.6 | 11 | 6.5 | M6 | 1.8x1 | 764 | 1758 | 19 |
| SFV02505-4.8 | 25 | 5 | 3.175 | 50 | 73 | 11 | 55 | 61 | 52 | 5.5 | 9.5 | 5.5 | M8 | 4.8x1 | 2017 | 5884 | 56 |
| SFV02506-4.8 | | 6 | 3.969 | 53 | 76 | 11 | 62 | 64 | 58 | 5.5 | 9.5 | 5.5 | M6 | 4.8x1 | 2711 | 7268 | 58 |
| SFV02508-4.8 | | 8 | 4.762 | 56 | 85 | 13 | 70 | 71 | 64 | 6.5 | 11 | 6.5 | M6 | 4.8x1 | 3466 | 8776 | 61 |
| SFV02510-2.7 | | 10 | 6.35 | 68 | 102 | 15 | 70 | 84 | 82 | 9 | 14 | 8.5 | M8 | 2.7x1 | 3040 | 6547 | 37 |
| SFV02525-1.8 | | 25 | 3.175 | 50 | 73 | 13 | 83 | 61 | 52 | 5.5 | 9.5 | 5.5 | M8 | 1.8x1 | 843 | 2199 | 22 |
| SFV03204-4.8 | 32 | 4 | 2.381 | 54 | 81 | 12 | 50 | 67 | 64 | 6.6 | 11 | 6.5 | M6 | 4.8x1 | 1517 | 5806 | 62 |
| SFV03205-4.8 | | 5 | 3.175 | 58 | 85 | 12 | 56 | 71 | 64 | 6.6 | 11 | 6.5 | M8 | 4.8x1 | 2249 | 7612 | 66 |
| SFV03206-4.8 | | 6 | 3.969 | 62 | 89 | 12 | 60 | 75 | 68 | 6.6 | 11 | 6.5 | M8 | 4.8x1 | 3079 | 9575 | 70 |
| SFV03208-4.8 | | 8 | 4.762 | 66 | 100 | 15 | 75 | 82 | 76 | 9 | 14 | 8.5 | M8 | 4.8x1 | 3962 | 11547 | 74 |
| SFV03210-4.8 | | 10 | 6.35 | 74 | 108 | 15 | 96 | 90 | 82 | 9 | 14 | 9 | M8 | 4.8x1 | 5620 | 14649 | 76 |
| SFV03220-2.7 | | 20 | 6.35 | 74 | 108 | 16 | 100 | 90 | 82 | 9 | 14 | 8.5 | M8 | 2.7x1 | 3509 | 8644 | 46 |
| SFV04005-4.8 | 40 | 5 | 3.175 | 67 | 101 | 15 | 59 | 83 | 72 | 9 | 14 | 8.5 | M8 | 4.8x1 | 2468 | 9586 | 76 |
| SFV04010-4.8 | | 10 | 6.35 | 82 | 124 | 18 | 100 | 102 | 94 | 11 | 17.5 | 11 | M8 | 4.8x1 | 6316 | 18600 | 90 |
| SFV04020-2.7 | | 20 | 6.35 | 82 | 124 | 18 | 100 | 102 | 90 | 11 | 17.5 | 11 | M8 | 2.7x1 | 3935 | 10893 | 56 |
| SFV05005-4.8 | 50 | 5 | 3.175 | 80 | 114 | 15 | 60 | 96 | 82 | 9 | 14 | 8.5 | M8 | 4.8x1 | 2698 | 12053 | 87 |
| SFV05010-4.8 | | 10 | 6.35 | 93 | 135 | 16 | 93 | 113 | 98 | 11 | 17.5 | 11 | M8 | 4.8x1 | 7023 | 23537 | 106 |
| SFV05020-2.7 | | 20 | 9.525 | 105 | 152 | 28 | 121 | 128 | 110 | 14 | 20 | 13 | M8 | 2.7x1 | 7336 | 19700 | 68 |
| SFV06310-4.8 | 63 | 10 | 6.35 | 108 | 154 | 22 | 105 | 130 | 110 | 14 | 20 | 13 | M8 | 4.8x1 | 7860 | 30430 | 126 |
| SFV06320-2.7 | | 20 | 9.525 | 122 | 180 | 28 | 120 | 150 | 130 | 18 | 26 | 17.5 | M8 | 2.7x1 | 8162 | 24741 | 80 |
| SFV08010-4.8 | 80 | 10 | 6.35 | 130 | 176 | 22 | 105 | 152 | 132 | 14 | 20 | 13 | M8 | 4.8x1 | 8593 | 38344 | 145 |
| SFV08020-4.8 | | 20 | 9.525 | 143 | 204 | 28 | 180 | 172 | 148 | 18 | 26 | 18 | M8 | 4.8x1 | 15103 | 57296 | 168 |
| SFV08020-7.6 | | 20 | 9.525 | 143 | 204 | 28 | 240 | 172 | 148 | 18 | 26 | 18 | M8 | 3.8x2 | 22423 | 90719 | 260 |

Ball Screw

SFY Series Specifications

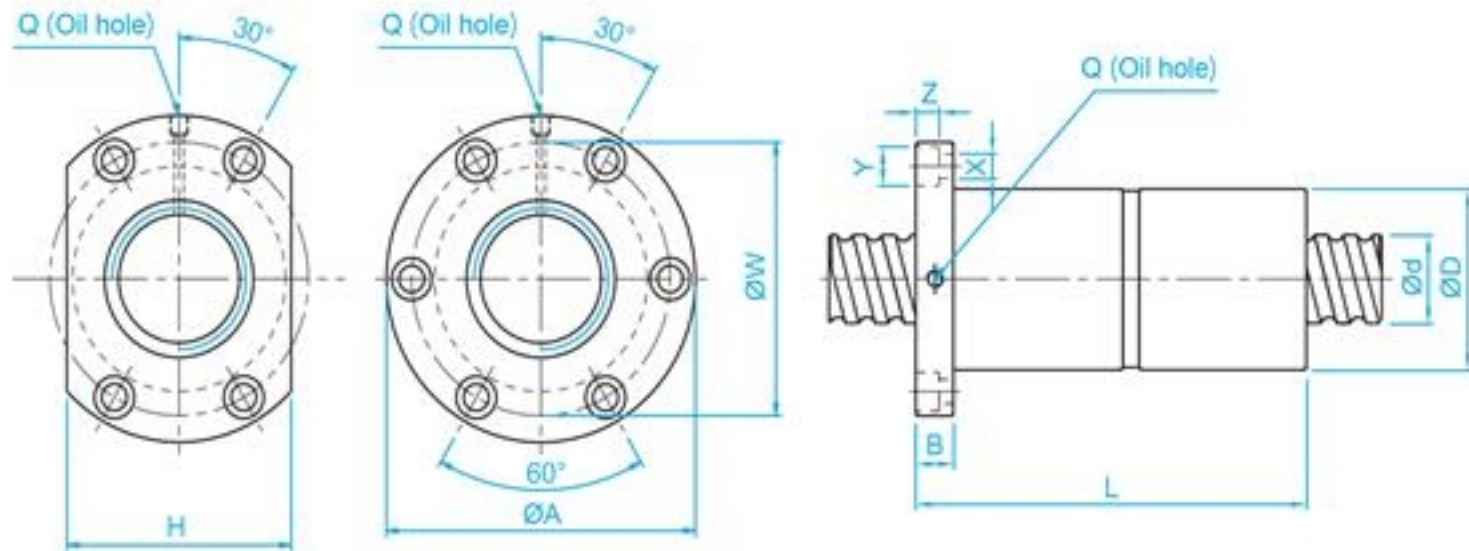


Unit: mm

| Large Lead Model No. | d | l | Da | Dimension | | | | | | | | | | Ca (kgf) | Coa (kgf) | K kgf/ μ m |
|----------------------|----|-----|-------|-----------|-----|------|----|------|-----|----|-----|----|-------|----------|-----------|----------------|
| | | | | D | A | E | B | L | W | H | X | Q | n | | | |
| SFY01616-3.6 | 16 | 16 | 2.778 | 32 | 53 | 10.1 | 10 | 45 | 42 | 34 | 4.5 | M6 | 1.8x2 | 1073 | 2551 | 31 |
| SFY01616-5.6 | | 16 | 2.778 | 32 | 53 | 10.1 | 10 | 61 | 42 | 34 | 4.5 | M6 | 2.8x2 | 1568 | 3968 | 47 |
| SFY02020-3.6 | 20 | 20 | 3.175 | 39 | 62 | 13 | 10 | 52 | 50 | 41 | 5.5 | M6 | 1.8x2 | 1387 | 3515 | 37 |
| SFY02020-5.6 | | 20 | 3.175 | 39 | 62 | 13 | 10 | 72 | 50 | 41 | 5.5 | M6 | 2.8x2 | 2029 | 5468 | 56 |
| SFY02525-3.6 | 25 | 25 | 3.969 | 47 | 74 | 15 | 12 | 64 | 60 | 49 | 6.6 | M6 | 1.8x2 | 2074 | 5494 | 45 |
| SFY02525-5.6 | | 25 | 3.969 | 47 | 74 | 15 | 12 | 89 | 60 | 49 | 6.6 | M6 | 2.8x2 | 3032 | 8546 | 69 |
| SFY03232-3.6 | 32 | 32 | 4.762 | 58 | 92 | 17 | 12 | 78 | 74 | 60 | 9 | M6 | 1.8x2 | 3021 | 8690 | 58 |
| SFY03232-5.6 | | 32 | 4.762 | 58 | 92 | 17 | 12 | 110 | 74 | 60 | 9 | M6 | 2.8x2 | 4417 | 13517 | 88 |
| SFY04040-3.6 | 40 | 40 | 6.35 | 73 | 114 | 19.5 | 15 | 99 | 93 | 75 | 11 | M6 | 1.8x2 | 4831 | 14062 | 70 |
| SFY04040-5.6 | | 40 | 6.35 | 73 | 114 | 19.5 | 15 | 139 | 93 | 75 | 11 | M6 | 2.8x2 | 7065 | 21874 | 106 |
| SFY05050-3.6 | 50 | 50 | 7.938 | 90 | 135 | 21.5 | 20 | 117 | 112 | 92 | 14 | M6 | 1.8x2 | 7220 | 21974 | 86 |
| SFY05050-5.6 | | 50 | 7.938 | 90 | 135 | 21.5 | 20 | 167 | 112 | 92 | 14 | M6 | 2.8x2 | 10558 | 34182 | 131 |
| Twin Lead Model No. | d | l | Da | Dimension | | | | | | | | | | Ca (kgf) | Coa (kgf) | K kgf/ μ m |
| | | | | D | A | E | B | L | W | H | X | Q | n | | | |
| SFY01632-1.6 | 16 | 32 | 2.778 | 32 | 53 | 10.1 | 10 | 42.5 | 42 | 34 | 4.5 | M6 | 0.8x2 | 493 | 1116 | 11 |
| SFY01632-3.6 | | 32 | 2.778 | 32 | 53 | 10.1 | 10 | 74.5 | 42 | 34 | 4.5 | M6 | 1.8x2 | 989 | 2511 | 23 |
| SFY02040-1.6 | 20 | 40 | 3.175 | 39 | 62 | 13 | 10 | 48 | 50 | 41 | 5.5 | M6 | 0.8x2 | 653 | 1597 | 15 |
| SFY02040-3.6 | | 40 | 3.175 | 39 | 62 | 13 | 10 | 88 | 50 | 41 | 5.5 | M6 | 1.8x2 | 1311 | 3592 | 30 |
| SFY02550-1.6 | 25 | 50 | 3.969 | 47 | 74 | 15 | 12 | 58 | 60 | 49 | 6.6 | M6 | 0.8x2 | 976 | 2495 | 19 |
| SFY02550-3.6 | | 50 | 3.969 | 47 | 74 | 15 | 12 | 108 | 60 | 49 | 6.6 | M6 | 1.8x2 | 1960 | 5614 | 32 |
| SFY03264-1.6 | 32 | 64 | 4.762 | 58 | 92 | 17 | 12 | 71 | 74 | 60 | 9 | M6 | 0.8x2 | 1374 | 3571 | 22 |
| SFY03264-3.6 | | 64 | 4.762 | 58 | 92 | 17 | 12 | 135 | 74 | 60 | 9 | M6 | 1.8x2 | 2759 | 8441 | 46 |
| SFY04080-1.6 | 40 | 80 | 6.35 | 73 | 114 | 19.5 | 15 | 90 | 93 | 75 | 11 | M6 | 0.8x2 | 2273 | 6387 | 29 |
| SFY04080-3.6 | | 80 | 6.35 | 73 | 114 | 19.5 | 15 | 170 | 93 | 75 | 11 | M6 | 1.8x2 | 4566 | 14370 | 50 |
| SFY050100-1.6 | 50 | 100 | 7.938 | 90 | 135 | 21.5 | 20 | 111 | 112 | 92 | 14 | M6 | 0.8x2 | 3398 | 9980 | 35 |
| SFY050100-3.6 | | 100 | 7.938 | 90 | 135 | 21.5 | 20 | 211 | 112 | 92 | 14 | M6 | 1.8x2 | 6824 | 22455 | 72 |

Ball Screw

DFV Series Specifications

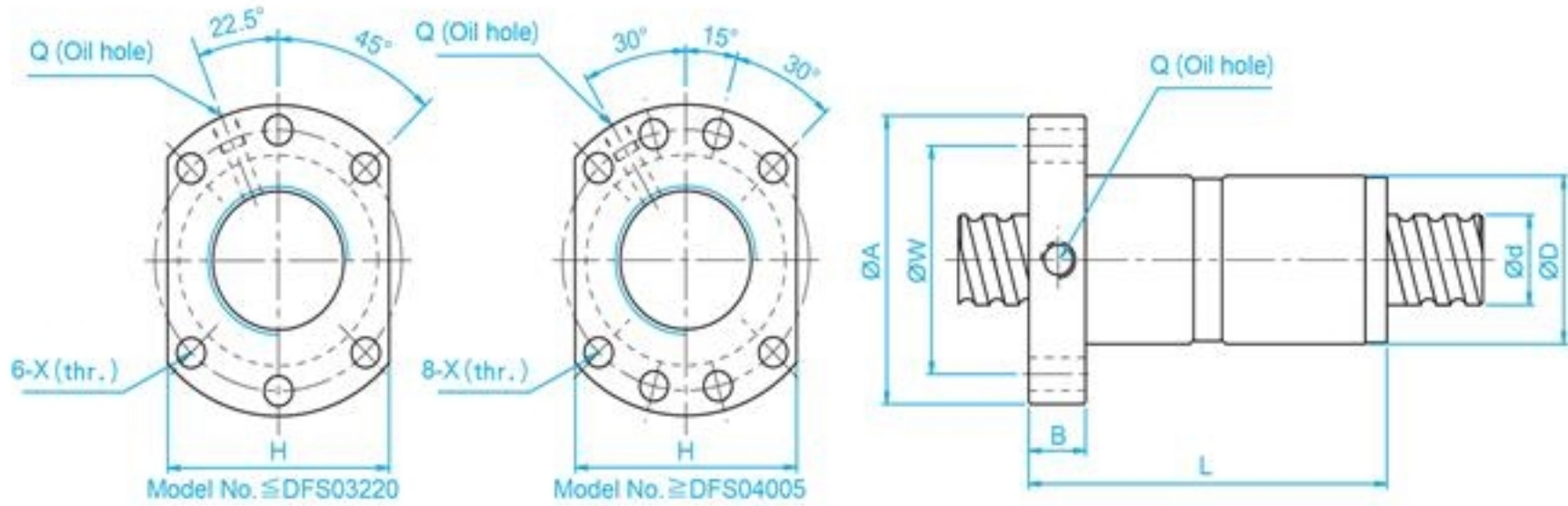


Unit: mm

| Model No. | d | l | Da | Dimension | | | | | | | | | | | Ca (kgf) | Coa (kgf) | K (kgf/μm) |
|--------------|----|----|-------|-----------|-----|----|-----|-----|-----|-----|------|------|----|-------|----------|-----------|------------|
| | | | | D | A | B | L | W | H | X | Y | Z | Q | n | | | |
| DFV01510-2.7 | 15 | 10 | 3.175 | 34 | 58 | 10 | 107 | 45 | 34 | 5.5 | 9.5 | 5.5 | M6 | 2.7x1 | 972 | 2020 | 30 |
| DFV01604-3.8 | 16 | 4 | 2.381 | 34 | 57 | 11 | 89 | 45 | 34 | 5.5 | 9.5 | 5.5 | M6 | 3.8x1 | 931 | 2285 | 42 |
| DFV01605-4.8 | | 5 | 3.175 | 40 | 63 | 11 | 113 | 51 | 42 | 5.5 | 9.5 | 5.5 | M6 | 4.8x1 | 1614 | 3662 | 53 |
| DFV01610-2.7 | | 10 | 3.175 | 40 | 63 | 11 | 106 | 51 | 42 | 5.5 | 9.5 | 5.5 | M6 | 2.7x1 | 1008 | 2161 | 32 |
| DFV02004-4.8 | 20 | 4 | 2.381 | 40 | 60 | 10 | 94 | 50 | 40 | 4.5 | 8 | 4 | M6 | 4.8x1 | 1247 | 3584 | 61 |
| DFV02005-4.8 | | 5 | 3.175 | 44 | 67 | 11 | 112 | 55 | 52 | 5.5 | 9.5 | 5.5 | M6 | 4.8x1 | 1814 | 4650 | 63 |
| DFV02010-2.7 | | 10 | 3.969 | 46 | 74 | 13 | 117 | 59 | 46 | 6.6 | 11 | 6.5 | M6 | 2.7x1 | 1518 | 3398 | 40 |
| DFV02505-4.8 | 25 | 5 | 3.175 | 50 | 73 | 11 | 105 | 61 | 52 | 5.5 | 9.5 | 5.5 | M8 | 4.8x1 | 2017 | 5884 | 75 |
| DFV02506-4.8 | | 6 | 3.969 | 53 | 76 | 11 | 116 | 64 | 58 | 5.5 | 9.5 | 5.5 | M6 | 4.8x1 | 2711 | 7268 | 78 |
| DFV02508-4.8 | | 8 | 4.762 | 56 | 85 | 13 | 134 | 71 | 64 | 6.5 | 11 | 6.5 | M6 | 4.8x1 | 3466 | 8776 | 82 |
| DFV02510-2.7 | | 10 | 6.35 | 68 | 102 | 15 | 130 | 84 | 82 | 9 | 14 | 8.5 | M8 | 2.7x1 | 3040 | 6547 | 49 |
| DFV03204-4.8 | 32 | 4 | 2.381 | 54 | 81 | 12 | 94 | 67 | 64 | 6.6 | 11 | 6.5 | M6 | 4.8x1 | 1517 | 5806 | 85 |
| DFV03205-4.8 | | 5 | 3.175 | 58 | 85 | 12 | 106 | 71 | 64 | 6.6 | 11 | 6.5 | M8 | 4.8x1 | 2249 | 7612 | 90 |
| DFV03206-4.8 | | 6 | 3.969 | 62 | 89 | 12 | 114 | 75 | 68 | 6.6 | 11 | 6.5 | M8 | 4.8x1 | 3079 | 9575 | 95 |
| DFV03208-4.8 | | 8 | 4.762 | 66 | 100 | 15 | 139 | 82 | 76 | 9 | 14 | 8.5 | M8 | 4.8x1 | 3962 | 11547 | 100 |
| DFV03210-4.8 | | 10 | 6.35 | 74 | 108 | 15 | 186 | 90 | 82 | 9 | 14 | 9 | M8 | 4.8x1 | 5620 | 14649 | 101 |
| DFV03220-2.7 | | 20 | 6.35 | 74 | 108 | 16 | 200 | 90 | 82 | 9 | 14 | 8.5 | M8 | 2.7x1 | 3509 | 8644 | 61 |
| DFV04005-4.8 | 40 | 5 | 3.175 | 67 | 101 | 15 | 109 | 83 | 72 | 9 | 14 | 8.5 | M8 | 4.8x1 | 2468 | 9586 | 105 |
| DFV04010-4.8 | | 10 | 6.35 | 82 | 124 | 18 | 188 | 102 | 94 | 11 | 17.5 | 11 | M8 | 4.8x1 | 6316 | 18600 | 121 |
| DFV04020-2.7 | | 20 | 6.35 | 82 | 124 | 18 | 200 | 102 | 90 | 11 | 17.5 | 11 | M8 | 2.7x1 | 3935 | 10893 | 74 |
| DFV05005-4.8 | 50 | 5 | 3.175 | 80 | 114 | 15 | 115 | 96 | 82 | 9 | 14 | 8.5 | M8 | 4.8x1 | 2698 | 12053 | 122 |
| DFV05010-4.8 | | 10 | 6.35 | 93 | 135 | 16 | 173 | 113 | 98 | 11 | 17.5 | 11 | M8 | 4.8x1 | 7023 | 23537 | 144 |
| DFV05020-2.7 | | 20 | 9.525 | 105 | 152 | 28 | 221 | 128 | 110 | 14 | 20 | 13 | M8 | 2.7x1 | 7336 | 19700 | 90 |
| DFV06310-4.8 | 63 | 10 | 6.35 | 108 | 154 | 22 | 195 | 130 | 110 | 14 | 20 | 13 | M8 | 4.8x1 | 7860 | 30430 | 172 |
| DFV06320-2.7 | | 20 | 9.525 | 122 | 180 | 28 | 220 | 150 | 130 | 18 | 26 | 17.5 | M8 | 2.7x1 | 8162 | 24741 | 107 |
| DFV08010-4.8 | 80 | 10 | 6.35 | 130 | 176 | 22 | 195 | 152 | 132 | 14 | 20 | 13 | M8 | 4.8x1 | 8593 | 38344 | 201 |
| DFV08020-4.8 | | 20 | 9.525 | 143 | 204 | 28 | 340 | 172 | 148 | 18 | 26 | 18 | M8 | 4.8x1 | 15103 | 57296 | 226 |
| DFV08020-7.6 | | 20 | 9.525 | 143 | 204 | 28 | 460 | 172 | 148 | 18 | 26 | 18 | M8 | 3.8x2 | 22423 | 90719 | 351 |

Ball Screw

DFS (DIN 69051 FORM B) Series Specifications



Unit: mm

| Model No. | d | l | Da | Dimension | | | | | | | | | Ca (kgf) | Coa (kgf) | K kgf/μm |
|--------------|----|----|-------|-----------|-----|----|-----|----|----|-----|----|-------|----------|-----------|----------|
| | | | | D | A | B | L | W | H | X | Q | n | | | |
| DFS01605-3.8 | 15 | 5 | 2.778 | 28 | 48 | 10 | 73 | 38 | 40 | 5.5 | M6 | 3.8x1 | 1112 | 2507 | 41 |
| DFS01610-2.8 | | 10 | 2.778 | 28 | 48 | 10 | 97 | 38 | 40 | 5.5 | M6 | 2.8x1 | 839 | 1821 | 31 |
| DFS02005-3.8 | 20 | 5 | 3.175 | 36 | 58 | 10 | 75 | 47 | 44 | 6.6 | M6 | 3.8x1 | 1484 | 3681 | 50 |
| DFS02010-3.8 | | 10 | 3.175 | 36 | 58 | 10 | 120 | 47 | 44 | 6.6 | M6 | 3.8x1 | 1516 | 3833 | 53 |
| DFS02505-3.8 | 25 | 5 | 3.175 | 40 | 62 | 10 | 75 | 51 | 48 | 6.6 | M6 | 3.8x1 | 1650 | 4658 | 59 |
| DFS02510-3.8 | | 10 | 3.175 | 40 | 62 | 12 | 122 | 51 | 48 | 6.6 | M6 | 3.8x1 | 1638 | 4633 | 61 |
| DFS03205-3.8 | 32 | 5 | 3.175 | 50 | 80 | 12 | 82 | 65 | 62 | 9 | M6 | 3.8x1 | 1839 | 6026 | 71 |
| DFS03210-3.8 | 31 | 10 | 3.969 | 50 | 80 | 13 | 122 | 65 | 62 | 9 | M6 | 3.8x1 | 2460 | 7255 | 75 |
| DFS03220-2.8 | | 20 | 3.969 | 50 | 80 | 12 | 160 | 65 | 62 | 9 | M6 | 2.8x1 | 1907 | 5482 | 58 |
| DFS04005-3.8 | 40 | 5 | 3.175 | 63 | 93 | 15 | 85 | 78 | 70 | 9 | M8 | 3.8x1 | 2018 | 7589 | 83 |
| DFS04010-3.8 | 38 | 10 | 6.35 | 63 | 93 | 14 | 123 | 78 | 70 | 9 | M8 | 3.8x1 | 5035 | 13943 | 91 |
| DFS04020-2.8 | | 20 | 6.35 | 63 | 93 | 14 | 162 | 78 | 70 | 9 | M8 | 2.8x1 | 3959 | 10715 | 73 |
| DFS05005-3.8 | 50 | 5 | 3.175 | 75 | 110 | 15 | 85 | 93 | 85 | 11 | M8 | 3.8x1 | 2207 | 9542 | 96 |
| DFS05010-3.8 | 48 | 10 | 6.35 | 75 | 110 | 18 | 138 | 93 | 85 | 11 | M8 | 3.8x1 | 5638 | 17852 | 109 |
| DFS05012-3.8 | | 12 | 6.35 | 75 | 110 | 18 | 147 | 93 | 85 | 11 | M8 | 3.8x1 | 5632 | 17836 | 110 |
| DFS05020-3.8 | | 20 | 6.35 | 75 | 110 | 18 | 218 | 93 | 85 | 11 | M8 | 3.8x1 | 5749 | 18485 | 116 |